

# COMROD AC14

## Multiband cellular antenna

### Application:

The AC14 is a high quality antenna designed for nearly all US and European cellular frequencies including GSM. It's primarily made for use in areas where the mobile phone's standard antenna gives marginal reception.

The good gain means it will give significantly better transmission quality than the standard antenna.

Especially when using the phone for data transfer the AC14 is of great help.

The antenna comes with a short cable with an FME connector. Adapters from the proprietary connector to FME are available for most mobile phones. The side whips are flexible for minimum storage volume when antenna is not in use.



### Electrical specifications:

|                   |  |
|-------------------|--|
| Frequency range   | 825-895 MHz<br>880-960 MHz<br>1710-1880 MHz<br>1850-1990 MHz |
| Nominal impedance | 50 ohm   |
| Power rating      | 25 W   |
| Gain              | 2 dB   |
| Pattern           | Horizontal plane: Omnidirectional                            |
| Polarization      | Vertical   |
| Connector         | FME female on 50cm (1.6') cable                              |

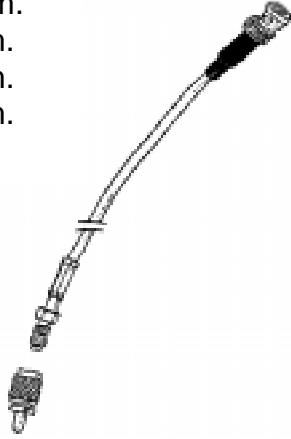
### Mechanical specifications:

|                   |  |
|-------------------|--|
| Design            | Dual/wide band ground plane antenna.           |
| Height            | 5.5" (140mm.)                                  |
| Weight            | 0.05 kg  |
| Finish            | Polyurethane lacquer, white<br>Stainless steel |
| Temperature range | -55 °C, +80 °C; -67 °F, +131 °F                |

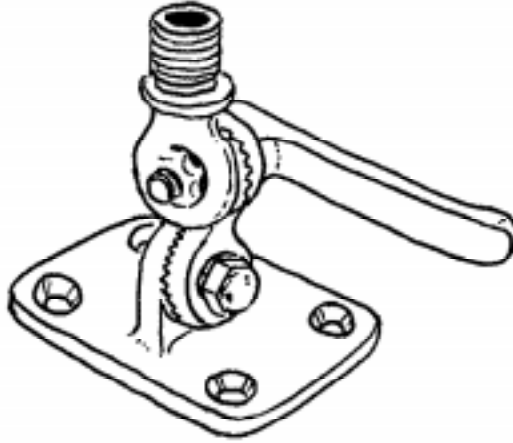
Supplement: (optional extra)

RG58 Cable.

Available in:  
40ft 12m.  
23ft 7m.  
16ft 5m.  
2ft 0,6m.



4 way bracket.



Extension  
Masts.

