



## ETB Command Talk-Back System



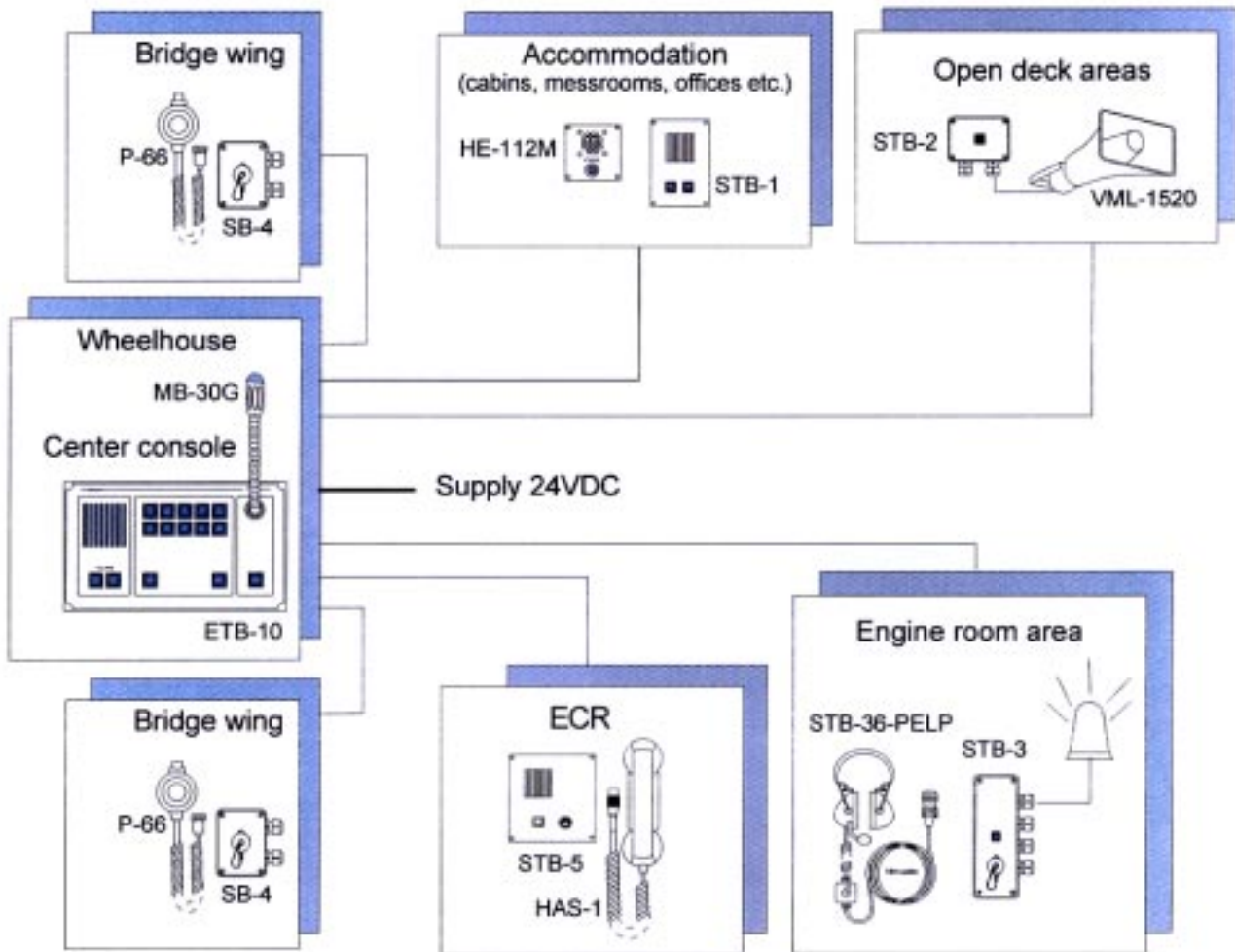
### Features

- 10 lines selection
- Bridge Wing communication facility
- All Call / Group Call facility
- Extension buttons with memory light and buzzer indication of incoming calls.
- Signal oscillator
- Step volume control
- Dimable panel background light

The ETB Loudhailing Talk-Back system is a low cost 5 or 10 lines system, consisting of a combined central and operator unit and a comprehensive range of substations.

The physical dimensions of the units are based on the Euro DIN standard and fit neatly into integrated bridge solutions.

Config. example



The ETB-5 and -10 operator panels have foil protective push button types with individual line buttons plus «ALL»-button.

The «TALK»-button controls the Talk-Listen function while the «CALL»-button activates external signal unit / relay box.

Standard version has re-entrant speaker microphone with step volume control of the listening level. Handheld- or gooseneck microphones are available as options.

The substation connection cables are terminated in the ETB operator panel.



Cordland Marine AB, Box 130, 430 31 ÅSA SWEDEN

Tel. 0340-658970, Fax: 0340-658971

Hitta närmaste återförsäljare på vår hemsida.

[www.cordland.se](http://www.cordland.se) E-mail: [cordland@cordland.se](mailto:cordland@cordland.se)



For more detailed product descriptions:

[www.zenitel.biz](http://www.zenitel.biz) → Communication & Security Systems → Zenitel Marine

Zenitel Marine Nor.  
Tel: +47 21 51 27 00  
Fax: +47 21 52 27 00  
E-mail: [sales.marine@zenitel.biz](mailto:sales.marine@zenitel.biz)  
Horten - Norway

Zenitel Marine Swe. AB  
Tel: +46 31 68 84 00  
Fax: +46 31 68 36 60  
E-mail: [sales@zenitel.se](mailto:sales@zenitel.se)  
Gothenburg - Sweden

Zenitel Marine Asia Pte Ltd.  
Tel: +65 63 83 02 00  
Fax: +65 63 83 07 00  
E-mail: [sales@zenitel.com.sg](mailto:sales@zenitel.com.sg)  
Singapore

Zenitel Marine Ger.  
Tel: +49 41 61 64 10 11  
Fax: +49 41 61 64 10 21  
E-mail: [vingtor.marine@i-online.de](mailto:vingtor.marine@i-online.de)  
Hamburg - Germany

Zenitel Marine Mod.  
Tel: +385 51 29 33 33  
Fax: +385 51 29 36 17  
E-mail: [dragun.radosevic@ri.tel.hr](mailto:dragun.radosevic@ri.tel.hr)  
Opuzja - Croatia