



VHF-AIS Antenna Splitter

CUBO-160

▶ Get Two VHF Radio with One Antenna

AMEC CUBO-160 VHF/AIS Transponder Splitter is a simple junction device which allows mariners to use both VHF Radio and AIS Transponder with only one VHF Antenna. It can also connect to AM/FM receiver. CUBO-160 is robust and strictly tested to meet the rigorous demands of the maritime environment.

▶ Easy Installation and Operation

CUBO-160 is designed for wide range of power input, from 12~24VDC. On the front panel, CUBO-160 equips with 3 LED which indicate the transmitting status between VHF radio and AIS Transponder clearly.

▶ Save Space, Cost and Time

CUBO-160 can save space, cost and time on additional installation of VHF antenna. It easily allows to arrange two active units transmitting/receiving signal with highest performance.

FEATURES

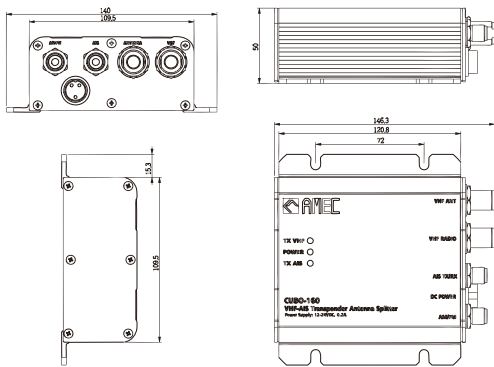
- Sharing between AIS VHF antenna and VHF radio antenna
- Low insertion loss
- Easy installation
- Applicable for both AIS receiver and AIS transponder
- Low power consumption
- Compact size
- CE conformity

APPLICATIONS

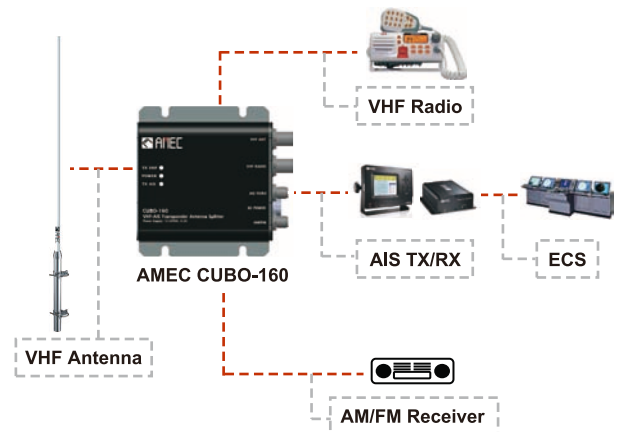
- ▶ VHF Radio
- ▶ AIS Transponder/ Receiver
- ▶ VHF Antenna
- ▶ AIS Chartplotter
- ▶ Recreation Boat



DIMENSIONS



CONNECTION DIAGRAM



SPECIFICATIONS

RF PERFORMANCE

AIS & VHF Radio Frequency Range	156.025 MHz~162.025 MHz
Insertion loss, AIS Receive path	Typical 4dB
Insertion loss, VHF Radio Receive path	Typical 4dB
Insertion loss, AIS Transmit path	Typical 0.8dB
Insertion loss, VHF Radio Transmit path	Typical 0.8dB
AIS port	BNC connector: Max. 12.5W, 50Ω
VHF Radio port	UHF connector: Max. 25W, 50Ω
FM port	75Ω

ENVIRONMENT

Operating Temperature	-15°C~55°C
Storage Temperature	-25°C~70°C
Operating Humidity	95% RH at 40°C
Waterproof	IPX5
Standard Magnetic	0.5 m
Compass Safe Distance	

Note: Specifications are subject to change without prior notice.

POWER SUPPLY

Supply Voltage	12V ~ 24V DC
Operating current (receive)	160mA typical at 12VDC
Operating current (VHF Transmit)	150mA typical at 12VDC
Operating current (AIS Transmit)	170mA typical at 12VDC

LED INDICATIONS

- One Power Indicator
- One VHF Radio Transmission Indicator
- One AIS Transponder Transmission Indicator

PHYSICAL

Size in mm (W)	103 mm (140mm with mounting)
Size in mm (H)	50 mm
Size in mm (D)	150 mm w/o connectors
Weight	< 1kg



Alltek Marine Electronics Corporation
 7F, No. 605, Ruei Guang Rd., Neihu, Taipei, Taiwan 114
 Tel: +886 (0)2-2627 1599 - Fax: +886 (0)2-2627 1600
www.alltekmarine.com

Your Heading to the Future!

Sales Contact
 For more information, please contact at your usual sales representative or Alltek Marine:
business@alltekmarine.com

Distributor/Agent